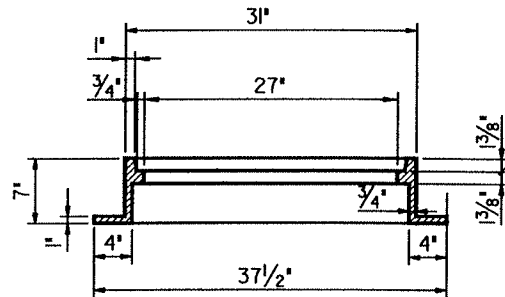
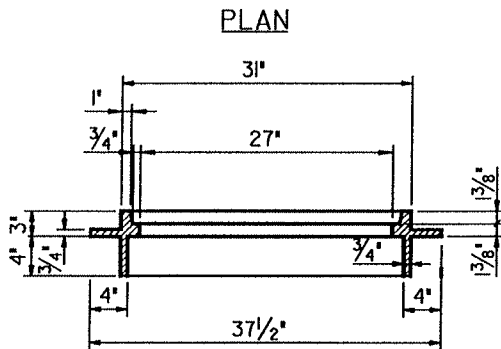
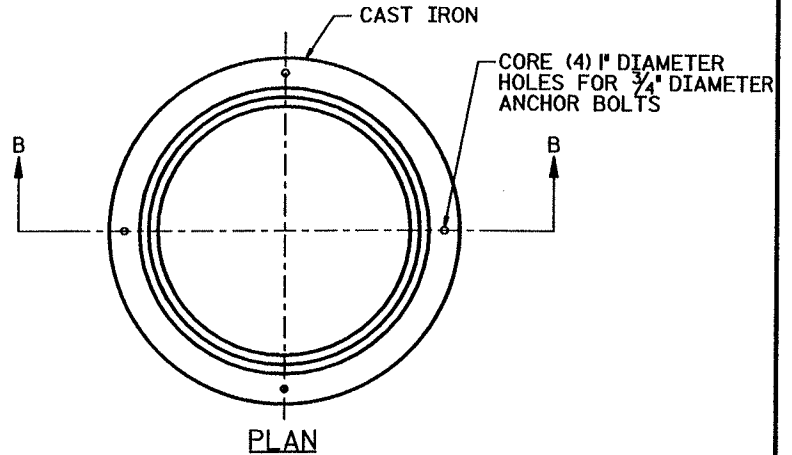
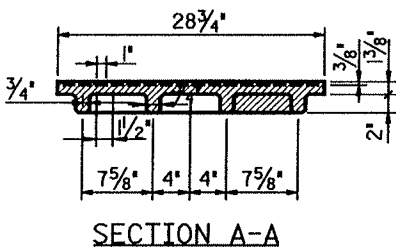


NOTES:

1. SHADED PORTION - HIGH
PLAIN PORTION - LOW
2. NAMES, LETTERS OR IDENTIFICATION
MARK OF USER TO BE CASE IN CIRCLE IN
CENTER OF COVER AS ORDERED.
3. ALL CONTACT SURFACES MACHINED.



CAST IN PLACE - SECTION B-B

BOTTOM FLANGE - SECTION B-B

CIRCULAR MANHOLE FRAME & COVER

PROJECT NO.:	T6672-04
ENGR./ARCH.:	DHN
DRAWN BY:	JRA
DESIGN BY:	DHN
CHECKED BY:	
CAD FILE:	MANHOLE DETAILS 2.DGN
DATE:	FEBRUARY 18, 2000



CIRCULAR MANHOLE FRAME & COVER

76672-04.2
DRAWING NO.

SHEET 1 OF 1