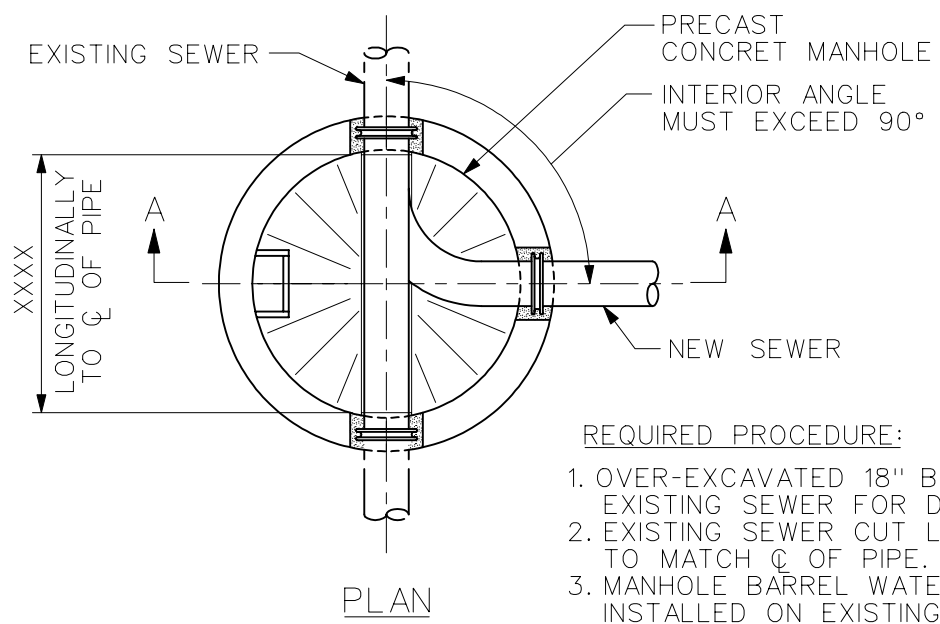


BAR = 1" AT PLOT SCALE

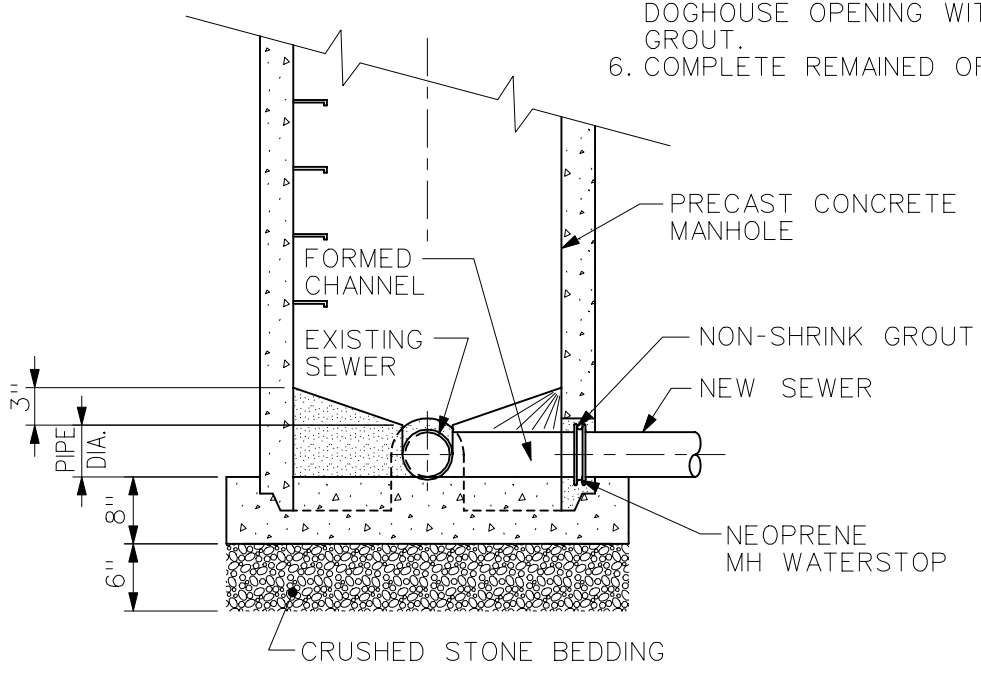
INTL REF: M:\projects\2487108-Details\Working\TMOES.dgn

STD: C-0801-11X8A



REQUIRED PROCEDURE:

1. OVER-EXCAVATED 18" BELOW INVERT OF EXISTING SEWER FOR DIAMETER OF 6'
2. EXISTING SEWER CUT LONGITUDINALLY TO MATCH ϕ OF PIPE.
3. MANHOLE BARREL WATERSTOPS ARE INSTALLED ON EXISTING AND NEW SEWER.
4. SECTION WITH "DOGHOUSE" CUTOUTS ARE SET OVER EXISTING PIPE AND SUPPORTED WITH CONCRETE BRICK OR BLOCK AND CONCRETE BASE IS POURED ON CRUSHED STONE BEDDING TO THE INVERT OF EXISTING-SEWER.
5. AFTER CONCRETE BASE HAS SET UP FORM STREAMLINED CHANNEL WITH GROUT AND FILL ANNULAR SPACE IN DOGHOUSE OPENING WITH NON-SHRINK GROUT.
6. COMPLETE REMAINED OF MANHOLE.



SECTION A-A



CHESTER ENGINEERS
 Chester Engineers
 260 Airside Drive, Moon Twp., PA 15108-2793
 (412)809-6600 FAX(412)809-6611
 www.chester-engineers.com

Drawing
TMOES

SCALE: NONE	DATE: 01/07
SHEET: 1 OF 1	STD. NO.

McCANDLESS TOWNSHIP SEWER AUTHORITY
 ALLEGHENY COUNTY, PENNSYLVANIA
 TYPICAL MANHOLE INSTALLATION
 ON EXISTING SEWER