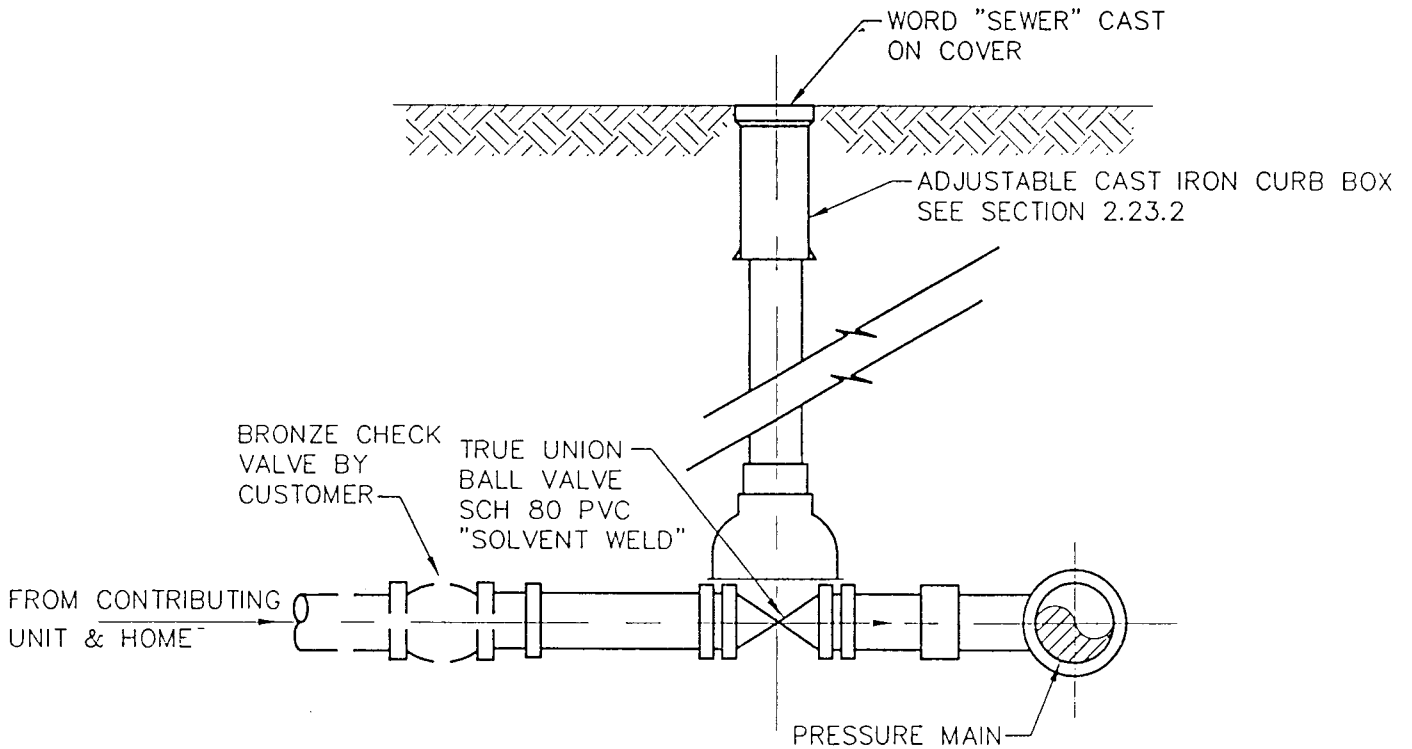


PLAN



SECTION

PRESSURE SEWER SERVICE LINE CONNECTION

NO SCALE

C-20

McCandless Township Sanitary Authority

REV: SEPT., 2001
APRIL, 1997