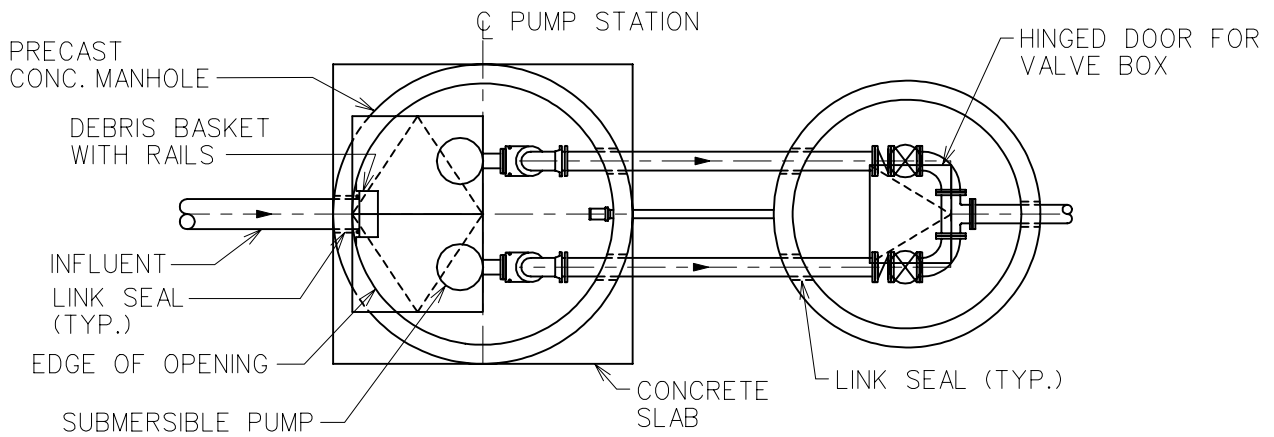


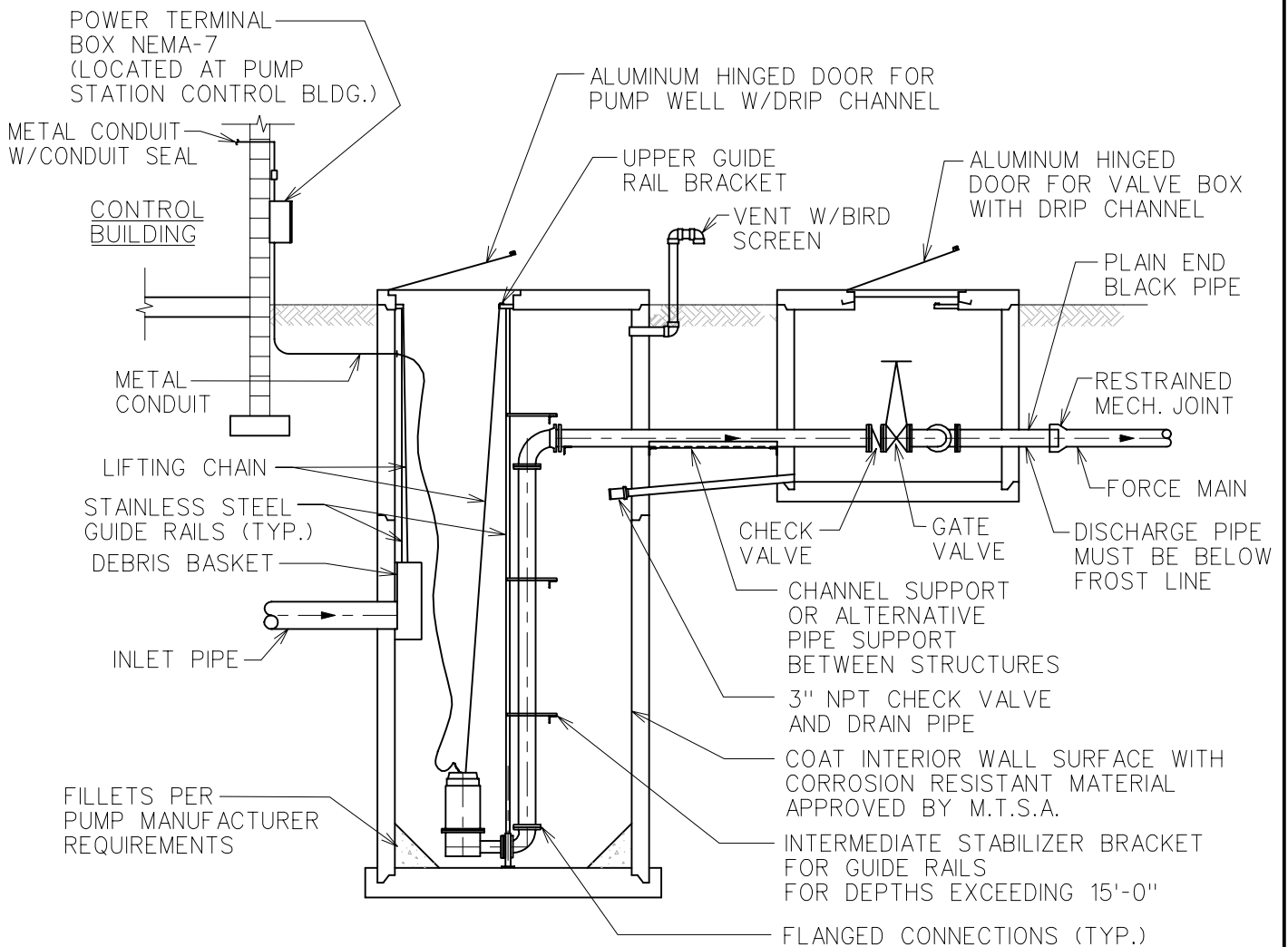
BAR = 1" AT PLOT SCALE

INTL REF: M:\projects\2487108-Details\Working\FIG-1.dgn

STD: C-0801-11X8A



PLAN



SECTION



CHESTER ENGINEERS
 Chester Engineers
 260 Airside Drive, Moon Twp., PA 15108-2793
 (412)809-6600 FAX(412)809-6611
 www.chester-engineers.com

Drawing
FIG-1

SCALE:

NONE

DATE:

01/07

SHEET:

1 OF 1

STD. NO.

FIG-1

McCANDLESS TOWNSHIP SEWER AUTHORITY
 ALLEGHENY COUNTY, PENNSYLVANIA
 STANDARD SUBMERSIBLE
 PUMP STATION
 MINIMUM REQUIREMENTS