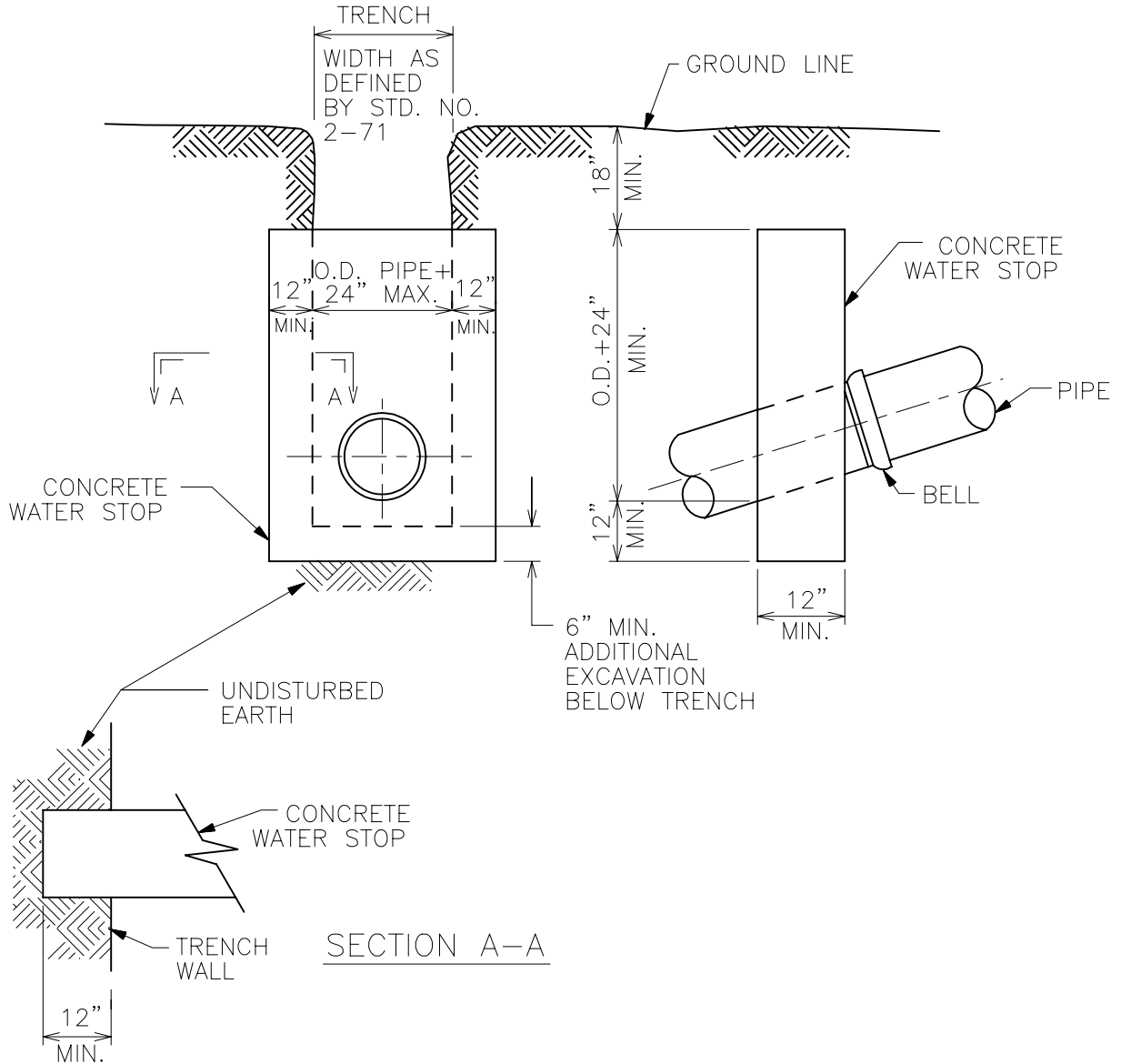


BAR = 1" AT PLOT SCALE

INTL REF: M:\projects\2487108-Details\Working\2-89.dgn

STD: C-0801-11X8A



NOTES:

1. FOR CONDITIONS OTHER THAN SHOWN HEREIN THE CONCRETE WATER STOPS SHALL BE PROVIDED AS REQUIRED BY THE CONTRACT PLANS OR ORDERED IN THE FIELD BY THE OWNER'S REPRESENTATIVE.
2. EXCAVATE BEYOND TRENCH WIDTH AND DEPTH AS SHOWN ABOVE AND POUR CONCRETE AGAINST UNDISTURBED EARTH.
3. 4000 PSI AIR ENTRAINED CONCRETE



Chester Engineers
260 Airside Drive, Moon Twp., PA 15108-2793
(412)809-6600 FAX(412)809-6611
www.chester-engineers.com

Drawing
2-89

SCALE:

NONE

DATE:

10/06

SHEET:

1 OF 1

STD. NO.

2-89

McCANDLESS TOWNSHIP SEWER AUTHORITY
ALLEGHENY COUNTY, PENNSYLVANIA
CONCRETE WATER STOPS
FOR PIPE LINES