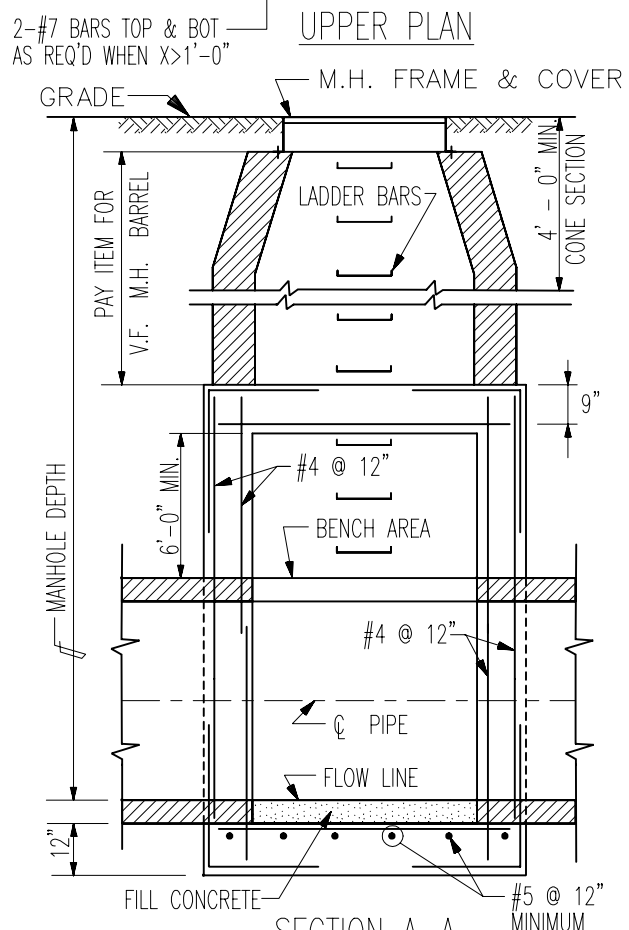
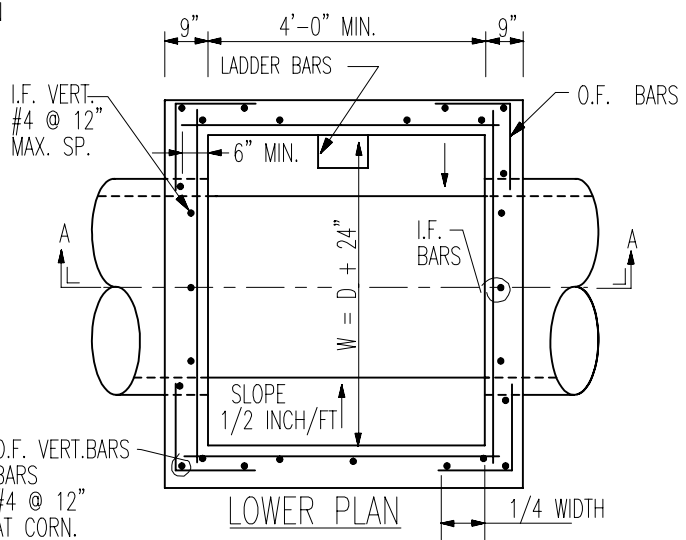
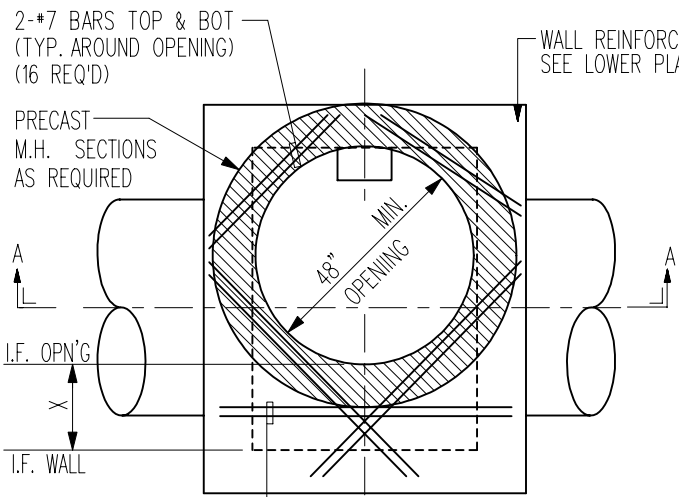


STD: C-0801-11X8A INTL REF: M:\projects\2487108-Details\Working\2-34.dgn BAR = 1" AT PLOT SCALE

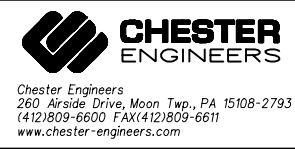


H = DEPTH FROM GROUND SURFACE TO POINT OF CONSIDERATION (IN FEET)
 D = INSIDE DIAMETER OF SEWER (IN INCHES)

WALL REINFORCING	H \ D	36	42	48	54	60	66	72
	10							
	12							
	14							
	16		#4 @ 12" O.F.					
	18		#4 @ 12" I.F.					
	20							
	22							
	24							
	26		#4 @ 6" O.F.					
	28		#4 @ 12" I.F.					
	30			#4 @ 6" O.F.				
	32			#4 @ 12" I.F.				
	34							
	36					#5 @ 6" O.F.		
	38					#4 @ 8" I.F.		#6 @ 7" O.F.
	40							#6 @ 7" O.F.
	42						#4 @ 6" I.F.	

TOP SLAB REINFORCING	H \ D	36	42	48	54	60	66	72
	10	#5 @ 6"			#6 @ 6"		#6 @ 4 1/2"	
	12	#5 @ 6"			#6 @ 6"		#6 @ 4 1/2"	
	14	#4 @ 10"			#4 @ 8"		#5 @ 6"	
	16	#4 @ 8"			#4 @ 8"		#5 @ 8"	
	18	#5 @ 8"			#5 @ 8"		#5 @ 6"	
	20	#5 @ 8"			#5 @ 6"		#6 @ 6"	
	22	#5 @ 6"			#5 @ 6"		#6 @ 6"	
	24	#5 @ 6"			#6 @ 6"		#6 @ 4 1/2"	
	26	#5 @ 6"			#6 @ 6"		#6 @ 4 1/2"	
	28	#5 @ 6"			#6 @ 6"		#6 @ 4 1/2"	
	30	#5 @ 6"			#6 @ 6"		#6 @ 4 1/2"	
	32	#5 @ 6"			#6 @ 6"		#6 @ 4 1/2"	
	34	#5 @ 6"			#6 @ 6"		#6 @ 4 1/2"	
	36	#6 @ 6"			#6 @ 4 1/2"		#6 @ 4 1/2"	
	38	#6 @ 6"			#6 @ 4 1/2"		#6 @ 4 1/2"	
	40	#6 @ 6"			#6 @ 4 1/2"		#6 @ 4 1/2"	
	42	#6 @ 4 1/2"			#6 @ 4"		#6 @ 4 1/2"	10" SLAB BELOW DASHED LINE

NOTE:
 1. JOINTS SHALL BE EQUIPPED WITH 2 COMPLETE RINGS OF FLEXIBLE BUTYL RUBBER JOINT SEALANT APPROVED BY THE ENGINEER. PRECAST CONCRETE MANHOLE SECTIONS SHALL CONFORM TO ASTM C-478 LATEST REVISION. SUPPLIERS OF THE PRECAST CONCRETE MANHOLE SECTIONS MUST BE LISTED AS AN APPROVED MANUFACTURER IN PUBLICATION #35, MOST CURRENT BULLETIN #15, APPROVED CONSTRUCTION MATERIALS, AS PROVIDED BY THE COMMONWEALTH OF PA, DEPARTMENT OF TRANSPORTATION, BUREAU OF CONSTRUCTION AND MATERIALS.
 2. ALL CONCRETE SHALL BE MIN. 4000 PSI AIR ENTRAINED CONCRETE



SCALE: NONE DATE: 10/06
 SHEET: 2 OF 2 STD. NO.: 2-34

McCANDLESS TOWNSHIP SEWER AUTHORITY
 ALLEGHENY COUNTY, PENNSYLVANIA
 CONCRETE MANHOLE FOR
 SEWERS 36" TO 72" DIA.
 WITH CAST-IN-PLACE BASE SECTION