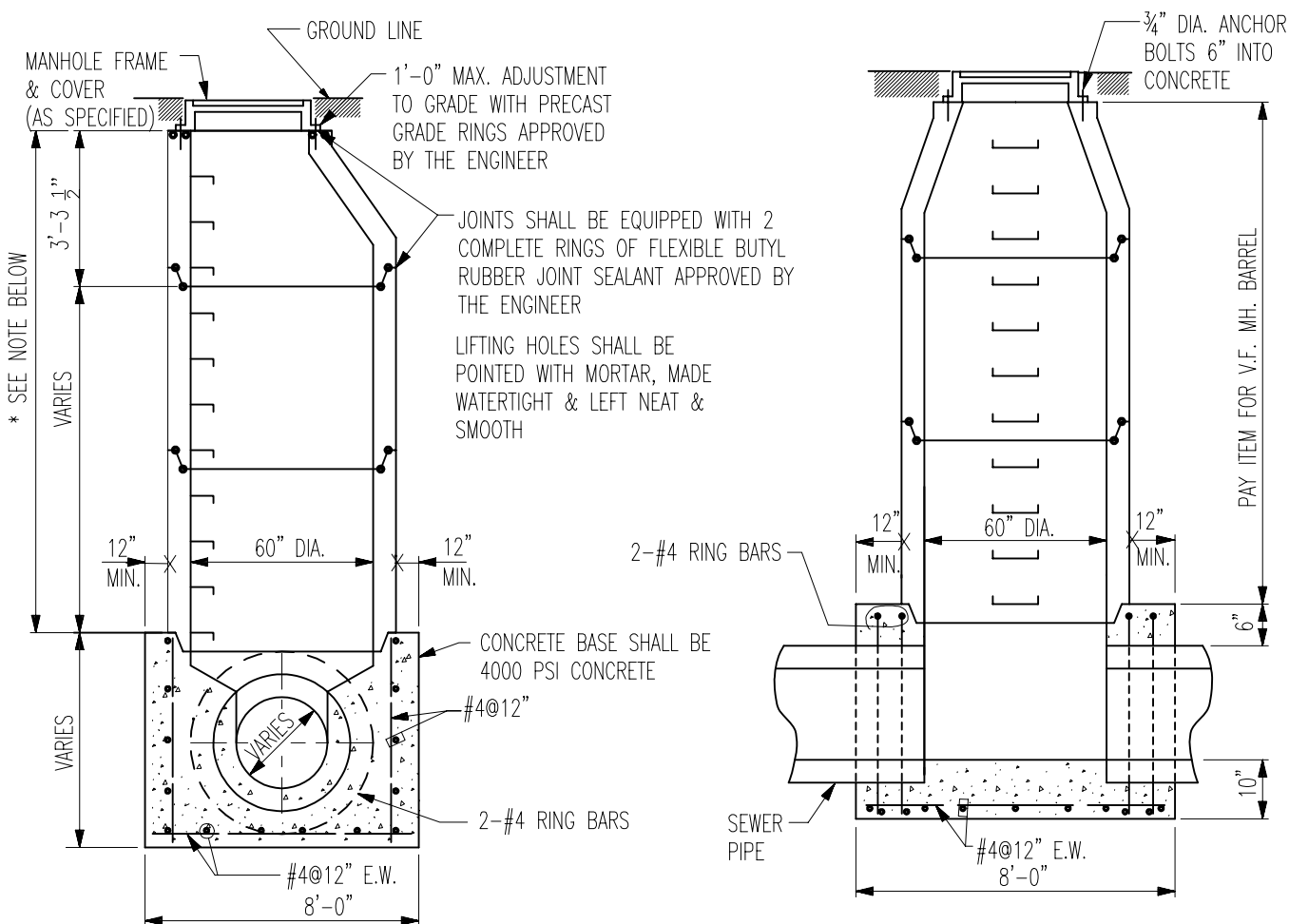
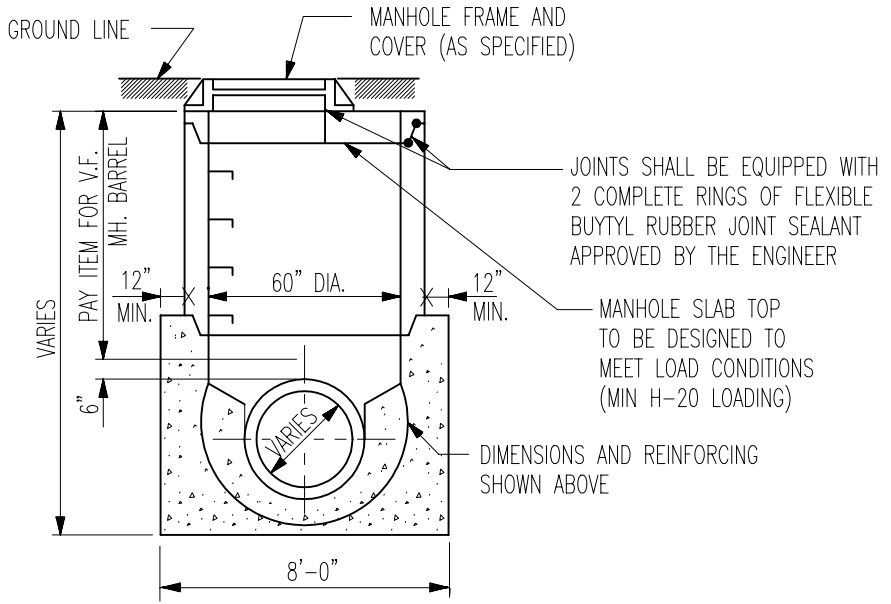



STD: C-0801-11X8A INTL REF: M:\projects\2487108-Details\Working\2-32.dgn BAR = 1" AT PLOT SCALE



* NOTE:
 IF THIS DIMENSION IS LESS THAN 3'-3" USE A PRECAST CONCRETE SLAB TOP AS SHOWN BELOW



- NOTE:
1. PRE-CAST CONCRETE MANHOLE SECTIONS SHALL CONFORM TO ASTM C-478, LATEST REVISION.
 2. FULL PIPE DEPTH CHANNEL THROUGH MANHOLE. SLOPE BENCH AREA AT 1/2"/FT.
 3. FOR PVC PIPE OR SIMILAR SMOOTH WALLED PIPE PROVIDE ENGINEER APPROVED WATER STOP OR SLEEVE TYPICAL AT ALL PIPE OPENINGS.
 4. ALL CONCRETE SHALL BE MIN. 4000 PSI AIR ENTRAINED CONCRETE.
 - 5) ALL EXTERIOR SURFACES OF PRECAST SECTIONS SHALL HAVE AN ENGINEER APPROVED, MANUFACTURER APPLIED WATERPROOF COATING.
 - 5) SUPPLIERS OF THE PRECAST CONCRETE MANHOLE SECTIONS MUST BE LISTED AS AN APPROVED MANUFACTURER IN PUBLICATION #35, MOST CURRENT BULLETIN #15, APPROVED CONSTRUCTION MATERIALS, AS PROVIDED BY THE COMMONWEALTH OF PA, DEPARTMENT OF TRANSPORTATION, BUREAU OF CONSTRUCTION AND MATERIALS.


CHESTER ENGINEERS
 Chester Engineers
 260 Airside Drive, Moon Twp., PA 15108-2793
 (412)809-6600 FAX(412)809-6611
 www.chester-engineers.com

SCALE:	DATE:
NONE	10/06
SHEET:	STD. NO.
1 OF 1	2-32

McCANDLESS TOWNSHIP SEWER AUTHORITY
 ALLEGHENY COUNTY, PENNSYLVANIA
 CONCRETE MANHOLE FOR
 SEWERS 24" TO 33" DIAMETER
 WITH CAST-IN-PLACE BASE SECTION