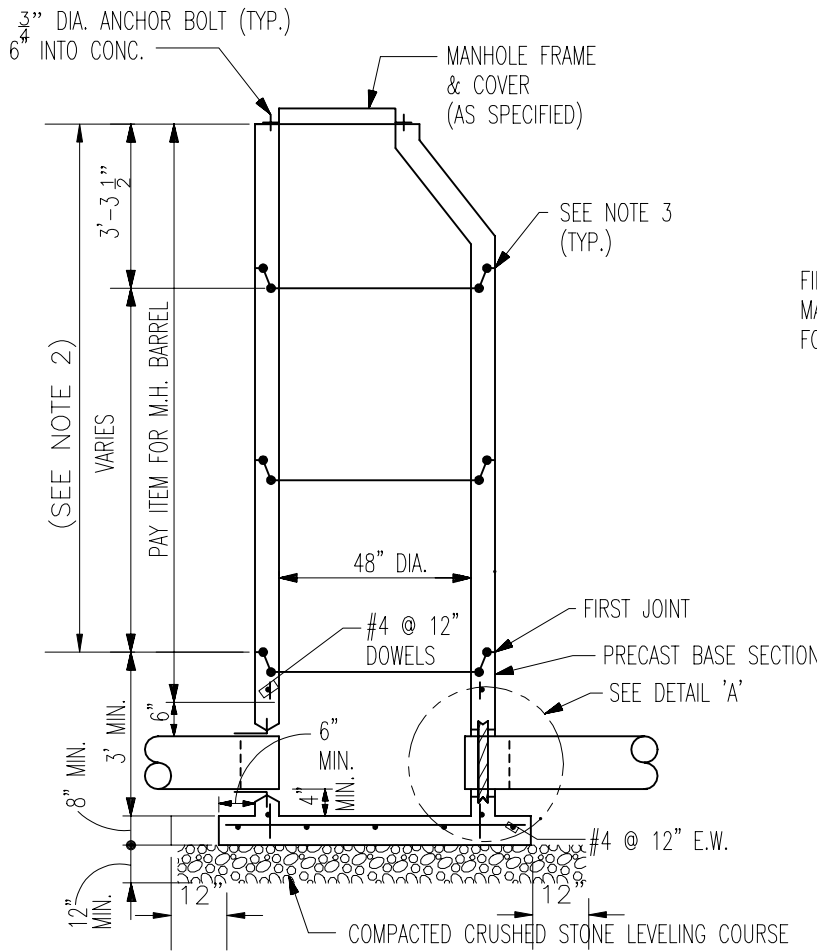


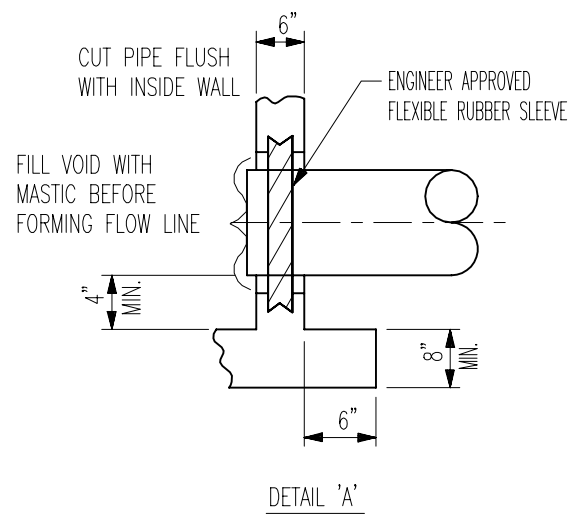
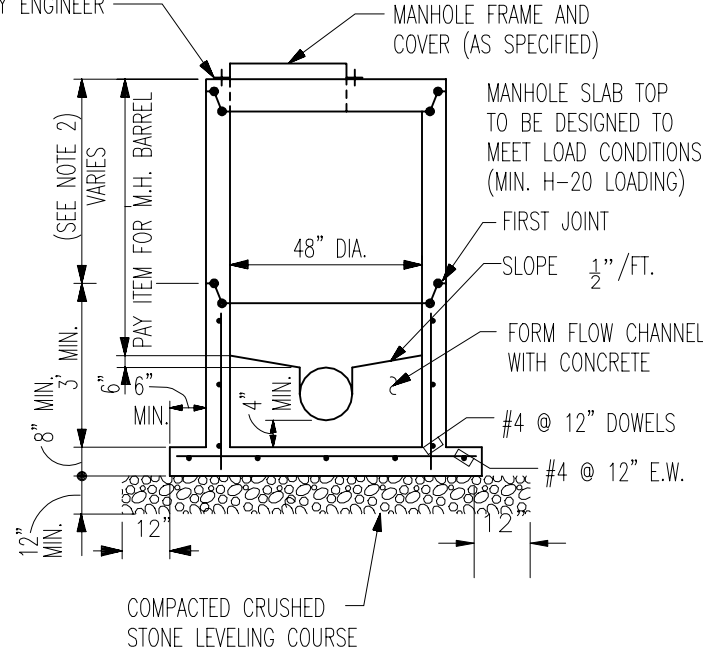
BAR = 1" AT PLOT SCALE

INTL REF: M:\projects\2487108-Details\Working\2-30B.dgn

STD: C-0801-11X8A



1'-0" MAX. ADJUSTMENT TO GRADE WITH PRECAST GRADE RINGS APPROVED BY ENGINEER



- NOTES:
- 1) PRECAST CONCRETE MANHOLE SECTIONS SHALL CONFORM TO ASTM-C-478, LATEST REVISION.
  - 2) IF THIS DIMENSION IS LESS THAN 3'-3" USE A PRECAST CONCRETE SLAB TOP AS SHOWN.
  - 3) JOINTS SHALL BE EQUIPPED WITH 2 COMPLETE RINGS OF FLEXIBLE BUTYL RUBBER JOINT SEALANT APPROVED BY THE ENGINEER.
  - 4) SUPPLIERS OF THE PRECAST CONCRETE MANHOLE SECTIONS MUST BE LISTED AS AN APPROVED MANUFACTURER IN PUBLICATION #35, MOST CURRENT BULLETIN #15, APPROVED CONSTRUCTION MATERIALS, AS PROVIDED BY THE COMMONWEALTH OF PA, DEPARTMENT OF TRANSPORTATION, BUREAU OF CONSTRUCTION AND MATERIALS.
  - 5) BASE SLAB POURED MONOLITHICALLY WITH WALLS.
  - 6) FULL PIPE DEPTH CHANNEL THROUGH MANHOLE. SLOPE BENCH AREA AT 1/2" / FT.
  - 7) ALL EXTERIOR SURFACES OF PRECAST SECTIONS SHALL HAVE AN ENGINEER APPROVED, MANUFACTURER APPLIED, WATER PROOF COATING.
  - 8) ALL CONCRETE SHALL BE MIN. 4000 PSI AIR ENTRAINED CONCRETE.



**CHESTER ENGINEERS**  
 Chester Engineers  
 260 Airside Drive, Moon Twp., PA 15108-2793  
 (412)809-6600 FAX(412)809-6611  
 www.chester-engineers.com

Drawing  
 2-30B

SCALE:	DATE:
NONE	12/03
SHEET:	STD. NO.
1 OF 1	2-30B

McCANDLESS TOWNSHIP SEWER AUTHORITY  
 ALLEGHENY COUNTY, PENNSYLVANIA  
 CONCRETE MANHOLE FOR SEWERS  
 8" TO 23" DIA. PRECAST BASE SECTION  
 (W/O LADDER BARS)