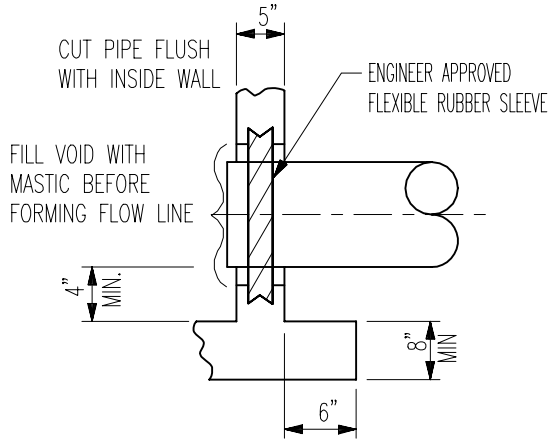
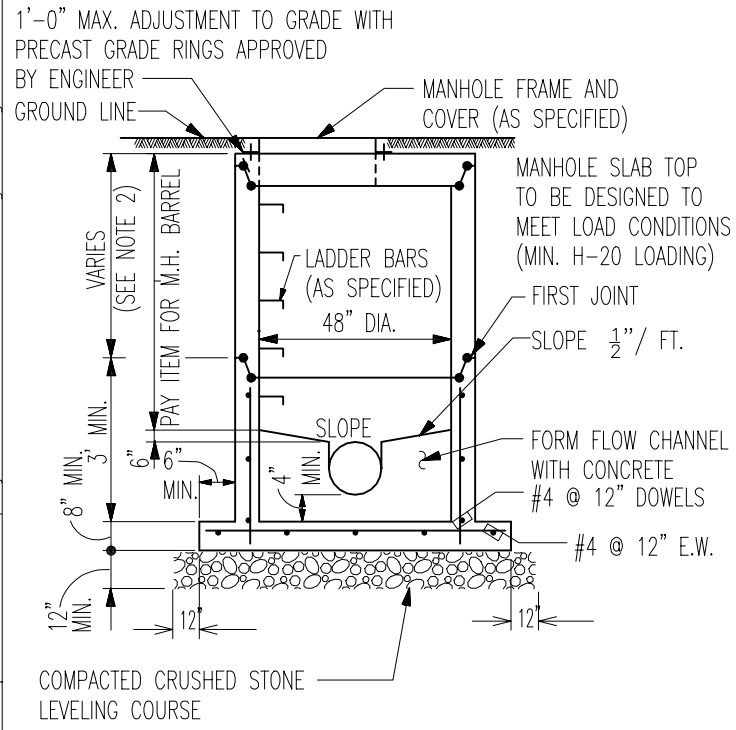
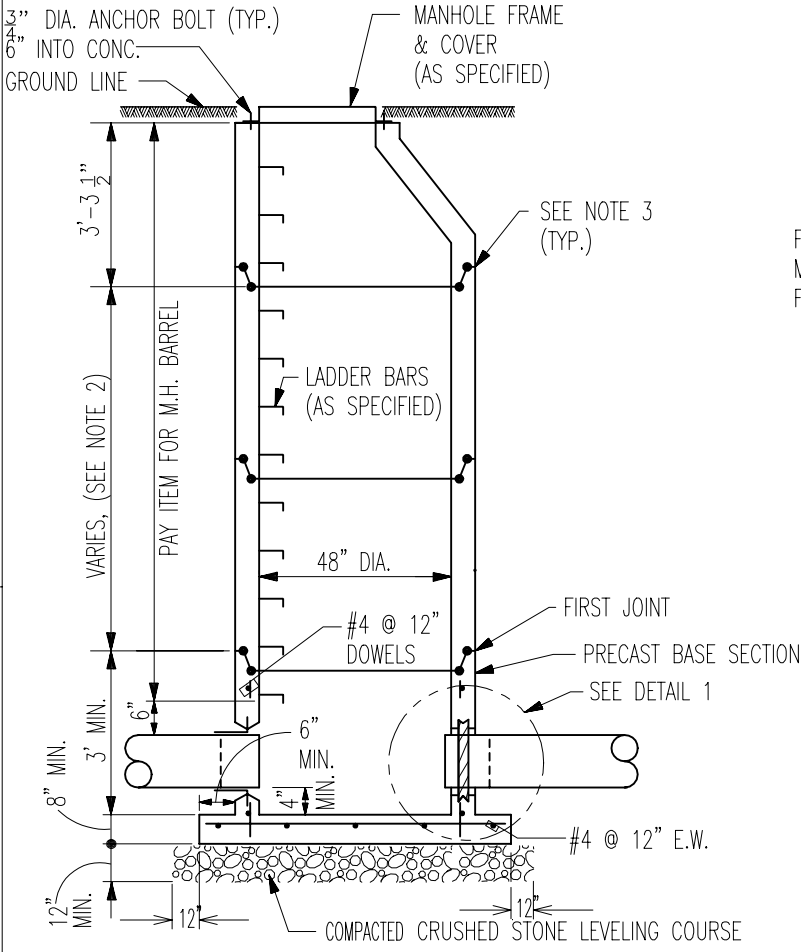
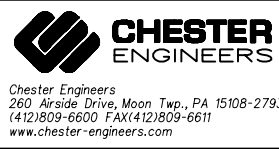


STD: C-0801-11X8A INTL REF: M:\projects\2487108-Details\Working\2-30.dgn BAR = 1" AT PLOT SCALE



DETAIL 1

- NOTES:
- 1) PRECAST CONCRETE MANHOLE SECTIONS SHALL CONFORM TO ASTM-C-478, LATEST REVISION.
 - 2) IF THIS DIMENSION IS LESS THAN 3'-3" USE A PRECAST CONCRETE SLAB TOP AS SHOWN.
 - 3) JOINTS SHALL BE EQUIPPED WITH 2 COMPLETE RINGS OF FLEXIBLE BUTYL RUBBER JOINT SEALANT APPROVED BY THE ENGINEER.
 - 4) SUPPLIERS OF THE PRECAST CONCRETE MANHOLE SECTIONS MUST BE LISTED AS AN APPROVED MANUFACTURER IN PUBLICATION #35, MOST CURRENT BULLETIN #15, APPROVED CONSTRUCTION MATERIALS, AS PROVIDED BY THE COMMONWEALTH OF PA, DEPARTMENT OF TRANSPORTATION, BUREAU OF CONSTRUCTION AND MATERIALS.
 - 5) BASE SLAB POURED MONOLITHICALLY WITH WALLS.
 - 6) FULL PIPE DEPTH CHANNEL THROUGH MANHOLE. SLOPE BENCH AREA AT 1/2"/FT.
 - 7) ALL CONCRETE SHALL BE MIN. 4000 PSI AIR ENTRAINED CONCRETE.
 - 8) ALL EXTERIOR SURFACES OF PRECAST SECTIONS SHALL HAVE AN ENGINEER APPROVED, MANUFACTURER APPLIED WATERPROOF COATING.
 - 9) STEPS TO BE 12" CENTERS.



SCALE:	DATE:
NONE	10/06
SHEET:	STD. NO.
1 OF 1	2-30

McCANDLESS TOWNSHIP SEWER AUTHORITY
 ALLEGHENY COUNTY, PENNSYLVANIA
 CONCRETE MANHOLE
 FOR SEWERS 8" TO 21" DIAMETER
 WITH PRECAST BASE SECTION