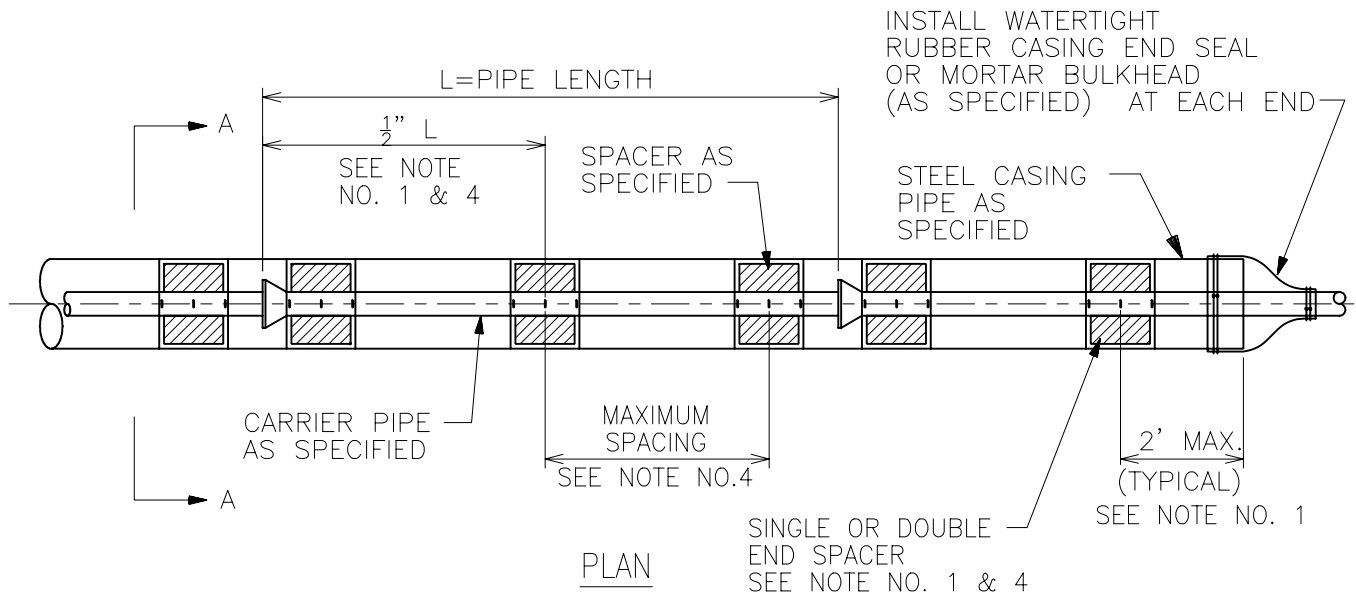


BAR = 1" AT PLOT SCALE

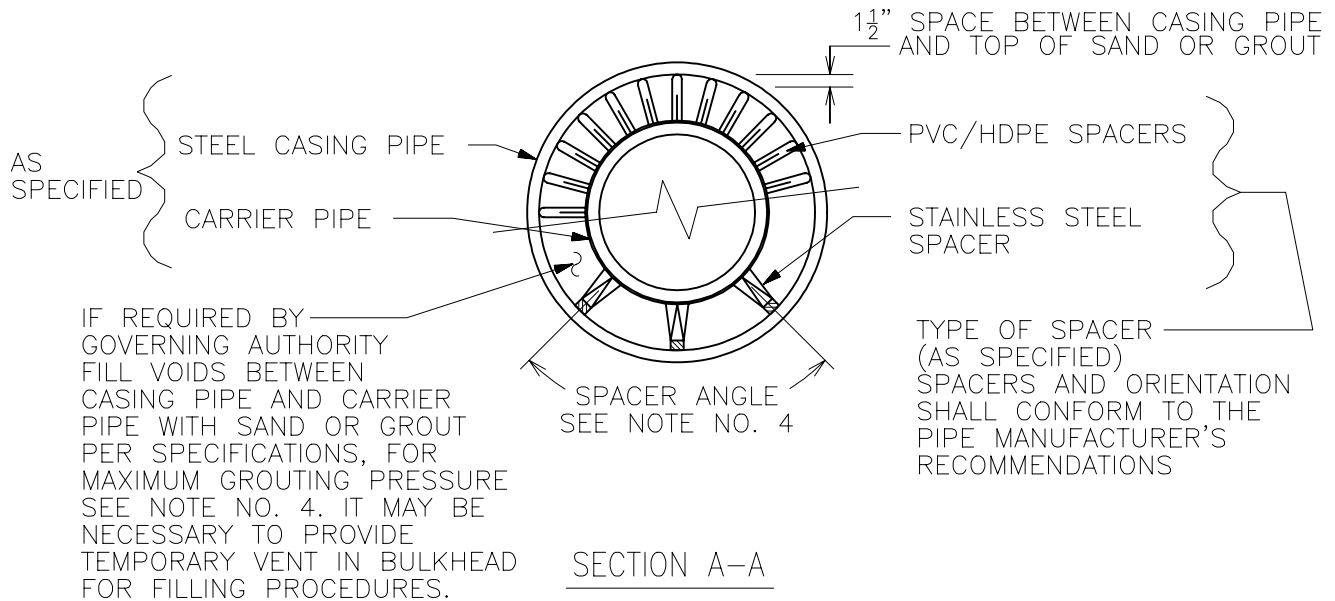
INTL REF: M:\projects\2487108-Details\Working\2-21.dgn

STD: C-0801-11X8A



NOTES:

1. ALL DIMENSIONS ARE TYPICAL/MINIMUM UNLESS OTHERWISE SPECIFIED OR RECOMMENDED BY MANUFACTURER.
2. INSTALL CARRIER PIPE WITHIN CASING PIPE BY PUSHING AND/OR PULLING. PROTECT CARRIER PIPE AS PER MANUFACTURER'S RECOMMENDATION.
3. LUBRICATE SPACERS AS RECOMMENDED BY MANUFACTURER.
4. METHOD OF INSTALLATION, CASING PIPE SIZE, NUMBER AND SIZE OF SPACERS, SPACER ANGLE, SPACING OF SPACERS AND GROUTING PRESSURE SHALL BE DETERMINED PER THE RECOMMENDATIONS OF THE MANUFACTURERS SUPPLYING THE SPACERS AND THE CARRIER PIPE UNLESS OTHERWISE SPECIFIED.
5. SPACERS SHALL HAVE MINIMUM HEIGHT TO CLEAR ALL PIPE BELLS.



IF REQUIRED BY GOVERNING AUTHORITY FILL VOIDS BETWEEN CASING PIPE AND CARRIER PIPE WITH SAND OR GROUT PER SPECIFICATIONS, FOR MAXIMUM GROUTING PRESSURE SEE NOTE NO. 4. IT MAY BE NECESSARY TO PROVIDE TEMPORARY VENT IN BULKHEAD FOR FILLING PROCEDURES.

SECTION A-A



CHESTER ENGINEERS
 Chester Engineers
 260 Airside Drive, Moon Twp., PA 15108-2793
 (412)809-6600 FAX(412)809-6611
 www.chester-engineers.com

Drawing
 2-21

SCALE:

NONE

DATE:

01/07

SHEET:

2 OF 2

STD. NO.

2-21

McCANDLESS TOWNSHIP SEWER AUTHORITY
 ALLEGHENY COUNTY, PENNSYLVANIA
 CARRIER/CASING PIPE DETAIL
 WITH VARIOUS TYPES OF STAINLESS
 STEEL OR PVC/HDPE SPACERS