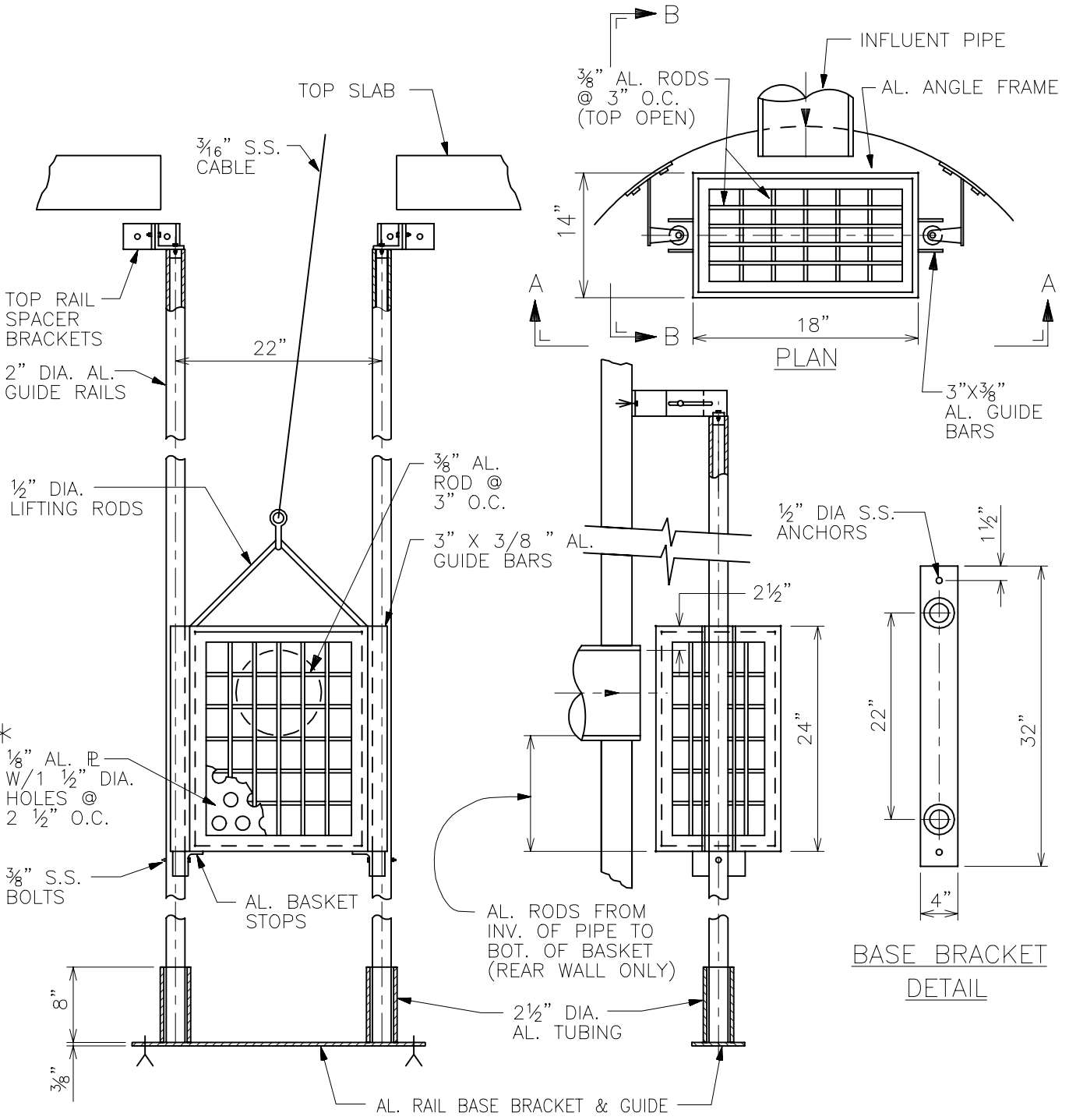


BAR = 1" AT PLOT SCALE

INTL REF: M:\projects\2487108-Details\Working\11-7.dgn

STD: C-0801-11X8A



SECTION A-A

SECTION B-B

BASE BRACKET
DETAIL

* NOTE:

WHERE FINE BASKET IS REQ'D.
USE 1/8" AL. PL W/1 1/2" DIA. HOLES
@2 1/2" O.C. IN PLACE OF 3/8" AL. RODS



Chester Engineers
260 Arside Drive, Moon Twp., PA 15108-2793
(412)809-6600 FAX(412)809-6611
www.chester-engineers.com

Drawing
11-7

SCALE:

NONE

DATE:

01/07

SHEET:

1 OF 1

STD. NO.

11-7

McCANDLESS TOWNSHIP SEWER AUTHORITY
ALLEGHENY COUNTY, PENNSYLVANIA

ALUMINUM DEBRIS BASKET